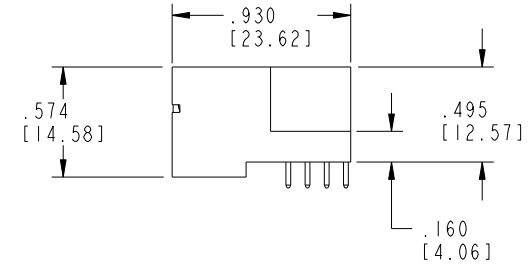
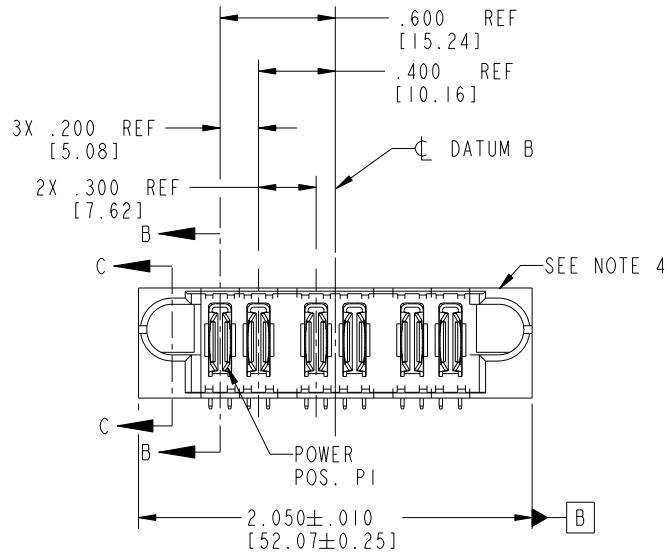
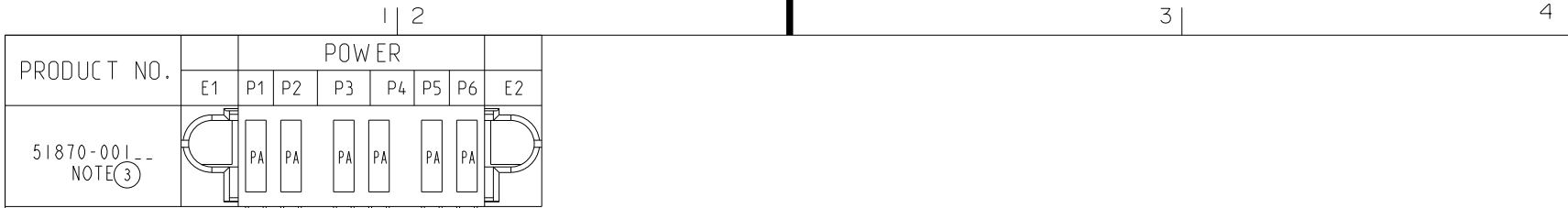


Tous droits strictement réservés. Reproduction ou communication a des tiers interdite sous quelque forme que ce soit sans autorisation écrite du propriétaire. Propriété de c FCI. Droits de reproduction FCI.



All rights strictly reserved. Reproduction or issue to third parties in any form whatever is not permitted without written authority from the proprietor. Property of FCI. Copyright FCI.



CODE	DIM "M" MATING LENGTH	CONTACT TYPE
PA	N/A [N/A]	POWER

mat'l code				SEE NOTE 2		tolerances unless otherwise specified		CUSTOMER		 www.fciconnect.com	
lir	ecn no.	dr	date	linear	.XX±.01/0.X±0.3		COPY		title		
A	V10809	EKK	01-20-01		.XXX±.005/0.XX±0.13		projection		6P		
B	V20776	JWS	05-21-02	angles	.XXX±.0020/0.XXX±0.051				RIGHT ANGLE SOLDER HEADER		
C	DG05-0064	SW	04/05/05		0°±2°				product family		
D	DG08-0251	W D	09/16/08	dr	J. SHAFFER	05-21-02	INCH/MM		PwrBlade		code
E	DG08-0272	W D	09/28/08	enrg	M. MOSTOLLER	05-20-02	scale		size		213
				chr	M. MOSTOLLER	05-21-02	1:1		dwg no		sheet
				appd	M. MOSTOLLER	05-21-02			A		51870
sheet index		revision sheet		E	E	E					1 of 4
				1	2	3					

B

B

1 | 2

Pro/E

PDM: Rev: E

STATUS: Released

Printed: Oct 17, 2008

code code 22526

4

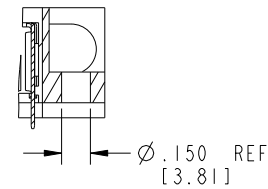
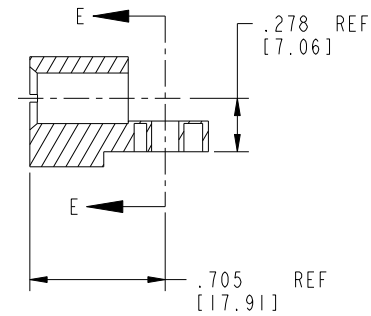
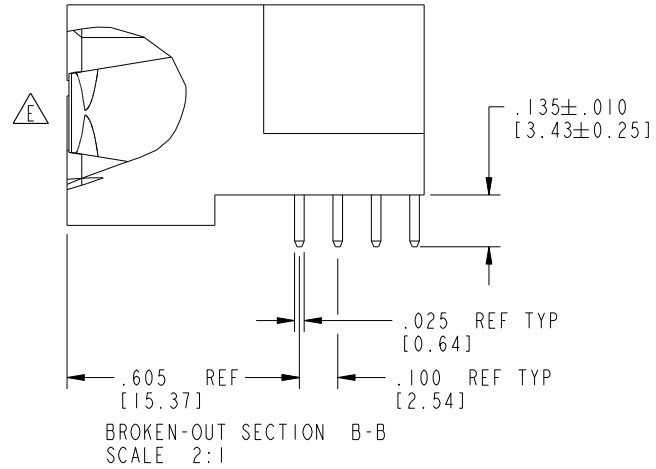
Tous droits strictement réservés. Reproduction ou communication a des tiers interdite sous quelque forme que ce soit sans autorisation écrite du propriétaire. Propriété de c FCI. Droits de reproduction FCI.



All rights strictly reserved. Reproduction or issue to third parties in any form whatever is not permitted without written authority from the proprietor. Property of FCI. Copyright FCI.

PRODUCT NUMBER

51870-001--  
NOTE ③



mat'l code		SEE NOTE 2		tolerances unless otherwise specified		CUSTOMER		FCI		www.fciconnect.com	
ltr	ecn no.	dr	date	linear	.XX±.01/0.X±0.3	projection	COPY		title 6P		
E					.XXX±.005/0.XX±0.13	INCH/MM	RIGHT ANGLE SOLDER HEADER		product family PwrBlade code 213		
				angles	.XXX±.0020/0.XXX±0.051	scale	A		size 51870 sheet 2 of 4		
				dr	J. SHAFFER 05-21-02	1:1	A				
				engr	M. MOSTOLLER 05-20-02						
				chr	M. MOSTOLLER 05-21-02						
				appd	M. MOSTOLLER 05-21-02						
sheet index	revision sheet										

Pro/E

PDM: Rev: E

STATUS: Released

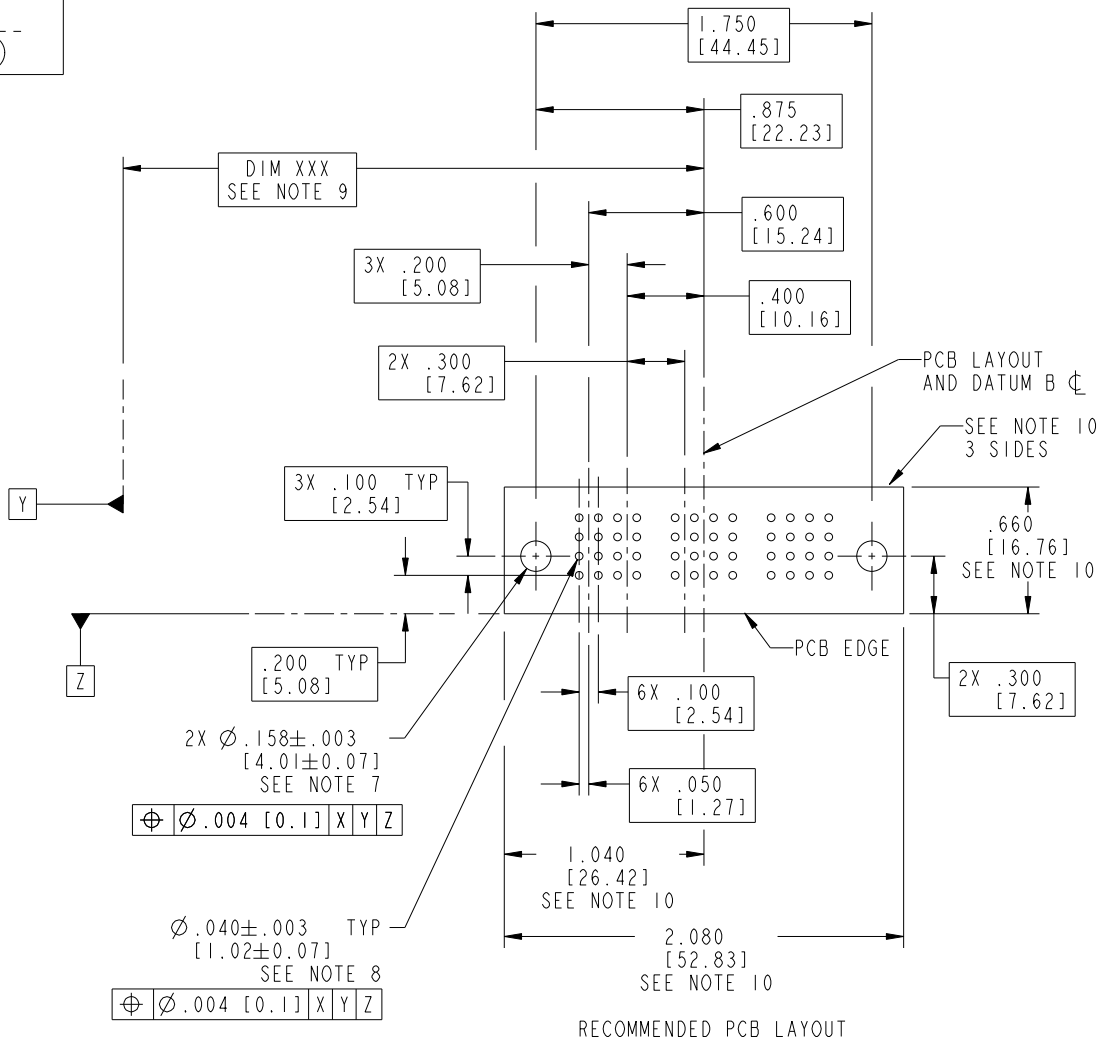
Printed: Oct 17, 2008

Tous droits strictement réservés. Reproduction ou communication a des tiers interdite sous quelque forme que ce soit sans autorisation écrite du propriétaire. Propriété de c FCI. Droits de reproduction FCI.



All rights strictly reserved. Reproduction or issue to third parties in any form whatever is not permitted without written authority from the proprietor. Property of FCI. Copyright FCI.

PRODUCT NUMBER  
51870-001--  
NOTE ③



RECOMMENDED PCB LAYOUT

mat'l code				SEE NOTE 2		tolerances unless otherwise specified		CUSTOMER		FCI	
lfr	ecn no.	dr	date	linear	.XX±.01/0.X±0.3	projection	COPY		www.fciconnect.com		
E				angles	.XXX±.005/0.XX±0.13	INCH/MM	title		6P		
				dr	.XXX±.0020/0.XXX±0.051	scale	RIGHT ANGLE SOLDER HEADER		product family		
				engr	0°±2°	1:1	PwrBlade		code		
				chr	J. SHAFFER 05-21-02		size		213		
				appd	M. MOSTOLLER 05-20-02		dwg no		sheet		
					M. MOSTOLLER 05-21-02		A		3 of 4		
					M. MOSTOLLER 05-21-02		51870				
sheet index	revision sheet										

code code 22526

Pro/E

PDM: Rev: E

STATUS: Released

Printed: Oct 17, 2008

PRODUCT NUMBER  
 51870-001--  
 NTOE (3)

NOTES:

1. DIMENSIONS AND TOLERANCES ARE IN ACCORDANCE WITH ASME Y14.5M, 1994 UNLESS OTHERWISE SPECIFIED.

CONNECTOR NOTES:

- (2) HOUSING MATERIAL: UL 94 V-0 GLASS FILLED HIGH-TEMP THERMOPLASTIC  
 POWER CONTACT MATERIAL: COPPER ALLOY  
 SIGNAL PIN MATERIAL: COPPER ALLOY

△ 3. SEE ITEM 1 & 2 IN PRINT 10064183 FOR PLATING SPEC OF 51870-001 AND 51870-001LF RESPECTIVELY.

- (4) MANUFACTURER'S NAME, P/N, AND DATE CODE TO APPEAR ON THIS SURFACE.
- 5. PRODUCT SPECIFICATION GS-12-149.  
 APPLICATION SPECIFICATION BUS-20-067.

PCB NOTES:

- 6. ALL HOLE DIAMETERS ARE FINISHED HOLE SIZE.
- 7. MOUNTING HOLES, WHERE APPLICABLE, ARE UNPLATED.

- (8)  $\varnothing .0453 \pm 0.0010$  [1.151  $\pm$  0.025] DRILLED HOLES PLATED WITH  
 0.0003 [0.008] MIN SnPb OVER .001 [0.03]  
 TO .003 [0.08] Cu PLATING TO ACHIEVE  
 $\varnothing .040 \pm .003$  [1.02  $\pm$  .07] HOLE.

- (9) "DIM XXX" TO BE DETERMINED BY THE CUSTOMER.

- (10) CONNECTOR KEEP-OUT ZONE.

11. A △ SYMBOL WILL BE NEXT TO ANY DIMENSION, VIEW, OR NOTE WHICH HAS BEEN MODIFIED WITH THE CURRENT DRAWING REVISION.

mat'l code				SEE NOTE 2		tolerances unless otherwise specified		CUSTOMER		FCJ		www.fciconnect.com	
lfr	ecn no.	dr	date	linear	.XX±.01/0.X±0.3	projection	COPY		title				
E					.XXX±.005/0.XX±0.13		INCH/MM		6P				
				angles	.XXX±.0020/0.XXX±0.051				RIGHT ANGLE SOLDER HEADER				
				dr	J. SHAFFER 05-21-02	scale		product family		code			
				engr	M. MOSTOLLER 05-20-02	1:1		PwrBlade		213			
				chr	M. MOSTOLLER 05-21-02	A		size		4 of 4			
				appd	M. MOSTOLLER 05-21-02	51870		dwg no					
sheet index		revision sheet											

Tous droits strictement réservés. Reproduction ou communication a des tiers interdite sous quelque forme que ce soit sans autorisation écrite du propriétaire. Propriété de c FCI. Droits de reproduction FCI.



All rights strictly reserved. Reproduction or issue to third parties in any form whatever is not permitted without written authority from the proprietor. Property of FCI. Copyright FCI.